

智明電子股份有限公司規格承認書

CHIMING ELECTRONICS CORP SPECIFICATION FOR APPROVAL

地址:新竹市橫山鄉橫山村站前街 58 號 Add: #58 Station Street, Henghan Hsing, Hsinchu Hsien, Taiwan

Tel: 886-3-593-3482 OR 3-593-1851 Fax: 886-3-593-4537 OR 3-593-3238

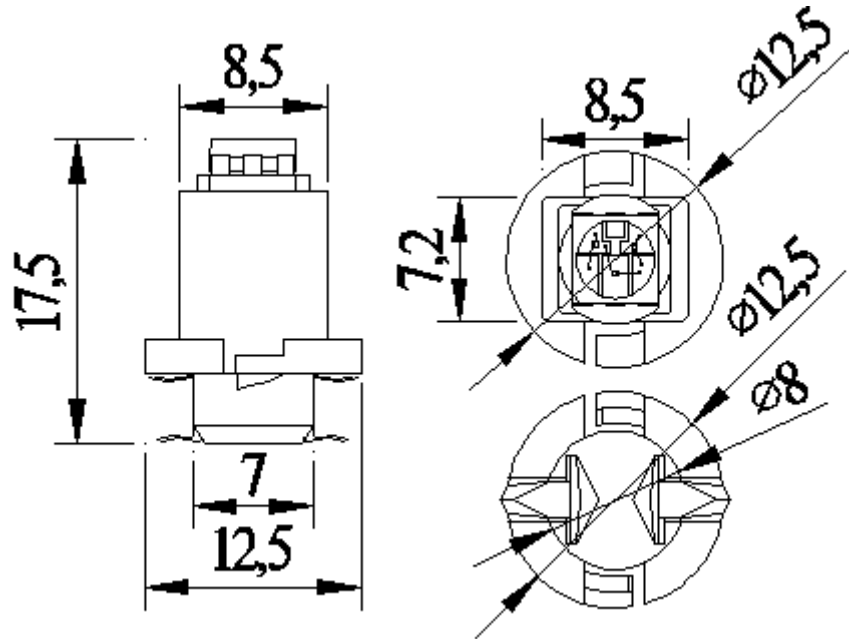
E-mail: att2278@ms71.hinet.net [Http://www.chi-ming.com](http://www.chi-ming.com)

DESCRIPTION:

(A) Electronics and Optical Characteristics: Ta=25°C

PART NO	Emitting Color	Forward Voltage (DC)	TotallityLuminous Intensity	Efficacy	Dominant Wavelength	Color Temperature	Single LED Intensity	Viewing Angle
BAX-1HP3		Unit: V	Unit: LM Error margin: ±5%	Unit:LM/W	Unit:nm	Unit:K	Unit:mcd	Unit:deg
R	Super Red	14.20	5.056	18.74	624~640	1001	1141	124.5
Y	Super Yellow	14.20	4.758	17.23	598~605	1313	971	128.8
G	Ultra Green	14.20	7.669	27.00	532~525	7388	1849	125.2
B	Ultra Blue	14.20	2.669	9.40	474~470	>=100000	693	123.6
W	Super White	14.20	8.933	31.45	X:0.287 Y:0.288	7000~9000	2363	113.2
Test Condition		Power: 0.26W			Current:18±10%mA			

Figure:



(B) Absolute Maximum Ratings AT Ta=25°C

PARAMETER	MAX	UNIT
Continuous Forward Current		mA
Peak Forward Current (1/10 Duty Cycle 0.1ms Pulse Width)		mA
Reverse Voltage		V
Operating Temperature Range	-20°C to +50°C	
Storage Temperature Range	-40°C to +100°C	
Lead Solder Temperature 1.6mm Below Package 260°C For 5 seconds		

APPROVED & CHECKED BY: wuguanquan Tested By: wuguanquan Date: 2008/004/16